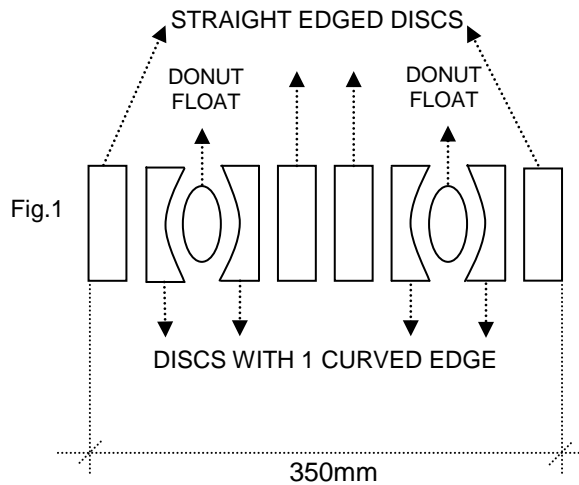


COMPETITOR RACING LANE CONSTRUCTION

Competitor Racing Lane Standard 4" Racing Lanes



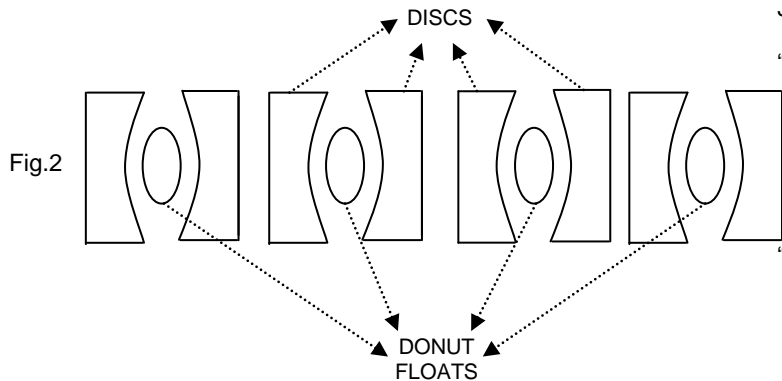
Standard lanes are made up in sections of 8 discs and 2 floats as illustrated in fig.1. The component parts are: -

Standard Lane 25 metre :	- SE1740 Straight Edged Discs	112 red, 84 blue, 86 white & 2 black.
	SE1740 Curved Edged Discs	112 red, 84 blue, 86 white & 2 black.
	SE175 Donut Floats	56 red, 42 blue, 44 white
	SE171 Cable	25.30metre
	SE172 Take-up Reel	1
	SE173 Tension Spring	1
	SE176 Wire Lock	1

Standard Lane 50 metre :	- SE1740 Straight Edged Discs	126 red, 224 blue, 222 white & 2 black.
	SE1740 Curved Edged Discs	126 red, 224 blue, 222 white & 2 black.
	SE175 Donut Floats	63 red, 112 blue, 112 white
	SE171 Cable	50.30metre
	SE172 Take-up Reel	1
	SE173 Tension Spring	1
	SE176 Wire Lock	1

NB: For FINA coloured lanes switch Blue, White Discs & Donuts for yellow, blue or Green & the Black ones to Red

Competitor Racing Lane Jumbo 6" Racing Lanes



Jumbo Lanes are made up of curved edged discs and floats as illustrated in fig.2. The component parts are: -

"Jumbo" Lane 25 metre :	- SE185 Jumbo Discs	112 red, 82 blue, 96 white & 4 black.
	SE175 Donut Floats	56 red, 41 blue, 48 white & 2 black.
	SE171 Cable	25.30metre
	SE172 Take-up Reel	1
	SE173 Tension Spring	1
	SE176 Wire Lock	1

"Jumbo" Lane 50 metre :	- SE185 Jumbo Discs	122 red, 224 blue, 240 white & 4 black.
	SE175 Donut Floats	61 red, 112 blue, 120 white & 2 black.
	SE171 Cable	50.30metre
	SE172 Take-up Reel	1
	SE173 Tension Spring	1
	SE176 Wire Lock	1

5 metres of Red at each end.
Then 8 White Discs & 4 White Donuts.
Alternate White & Blue until 8th section, the 15m mark, 4 Blue Discs & 4 Blue Donuts
followed by 2 Black Discs & 2 Black Donuts then 4 Blue Discs & 4 Blue Donuts & then
back to sections of 8. The lane should be symmetrical.

NB: For FINA coloured lanes switch the Blue & White Discs & Donuts for Yellow, Blue or Green & the Black ones to Red