

mitre

10' x 6' MATCH GOAL

10' x 6' (305cm x 183cm)

COMPONENT LIST

A				ALSO CONTAINS: 1 x NET + 1 x GOAL BAG
B	H	2 x CORNER JOINTS		
C	I	2 x CORNER JOINTS (3 JUNCTIONS)		
D	J	6 x LONG STRAIGHT CONNECTORS		
E	K	2 x SHORT STRAIGHT CONNECTORS		
F	L	2 x ANGLED CONNECTORS	N	1 x BAG NET CLIPS
G	M	2 x ANGLED CONNECTORS	O	4 x GROUND ANCHORS

IMPORTANT SAFETY INSTRUCTIONS

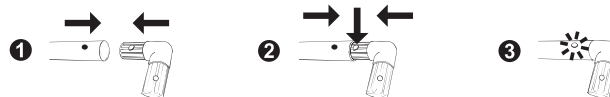
1. Always inspect the goal post and net for defects before use and replace damaged parts in accordance with BS 8461:2005 code of practice.
 2. Do not use goal with faulty parts.
 3. The goal must always be secured to the ground. Weights to be used on hard surface, ground anchors on grass.
 4. Never climb on the net or the goal frame.
 5. The goal must never be used without the net fitted.
- Please adhere to the safety instructions at all times
Please refer to the Football Association web site (www.thefa.com) and British Standards for the recommended safety procedures.

WARNING

1. Not suitable for children under 3 years old due to small parts.
2. It is recommended that the goal is assembled by an adult.
3. There should be at least 2 people present to assemble or move this item.
4. Please only use on firm ground.
5. Please regularly check for any cracks or damage. Do not use if any damage is discovered.
6. Keep away from fire and other sources of heat.

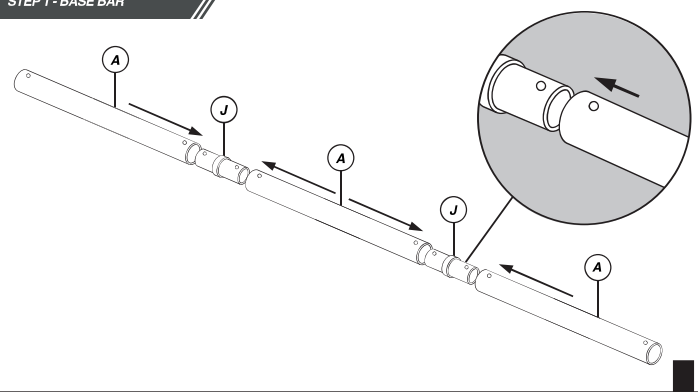
ASSEMBLY INSTRUCTIONS

USING THE CONNECTORS

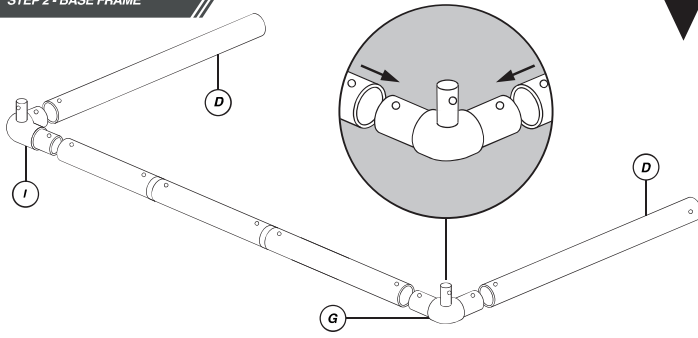


Use the tube and connector together as illustrated.

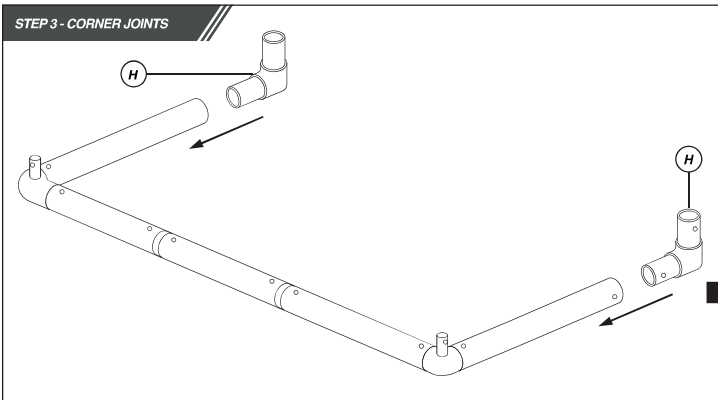
STEP 1 - BASE BAR



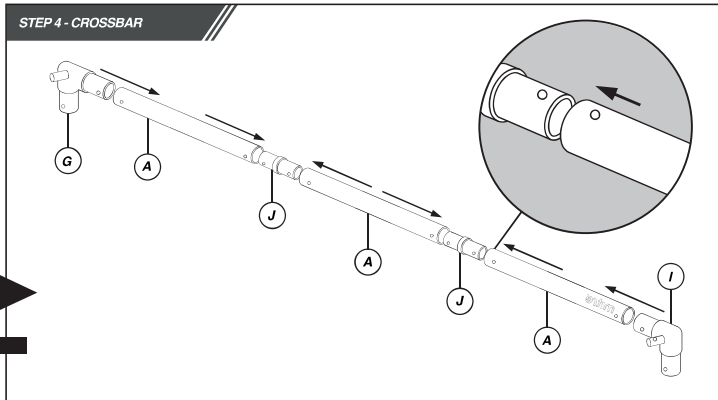
STEP 2 - BASE FRAME



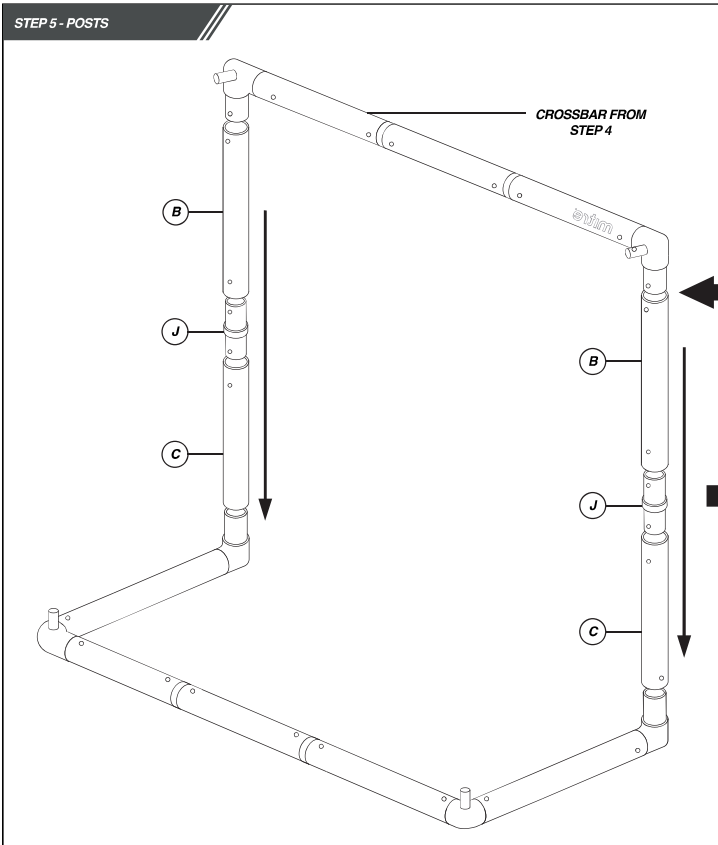
STEP 3 - CORNER JOINTS



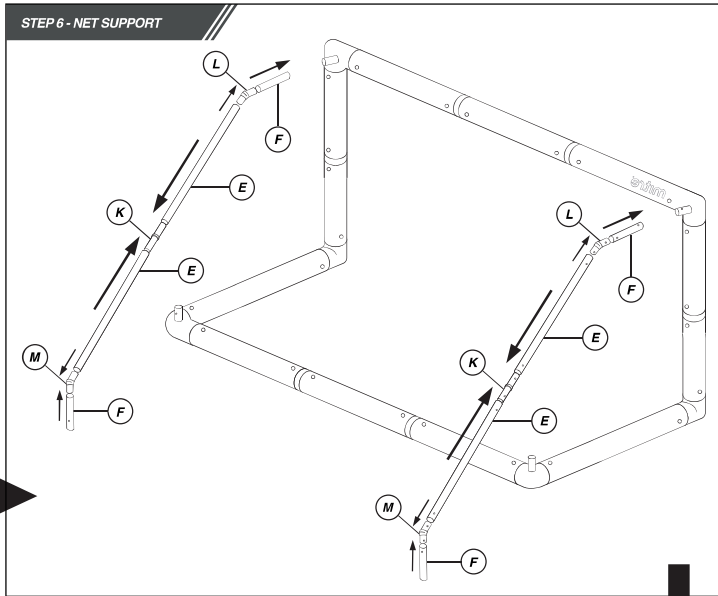
STEP 4 - CROSSBAR



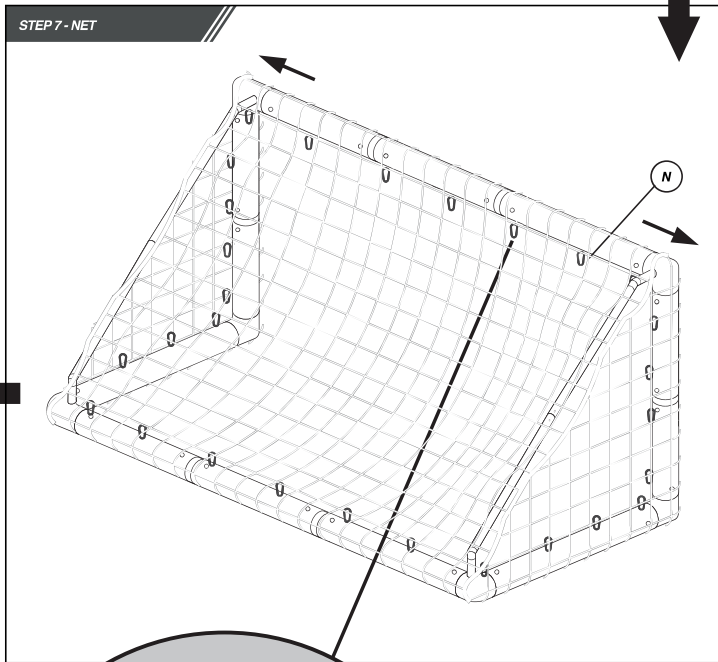
STEP 5 - POSTS



STEP 6 - NET SUPPORT



STEP 7 - NET



STEP 8 - GROUND ANCHORS

