



# 8' x 4' MATCH GOAL

8' x 4' (244cm x 122cm)

## COMPONENT LIST

A		2x
B		2x
C		4x
D		2x
E		2x

ALSO CONTAINS:  
1x NET + 1x GOAL BAG

F		6x
G		5x GROUND ANCHORS
H		1x BAG - NET CLIPS

## IMPORTANT SAFETY INSTRUCTIONS

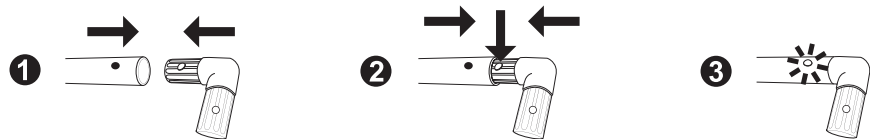
1. Always inspect the goal post and net for defects before use and replace damaged parts in accordance with BS 8461:2005 code of practice.
  2. Do not use goal with faulty parts.
  3. The goal must always be secured to the ground. Weights to be used on hard surface, ground anchors on grass.
  4. Never climb on the net or the goal frame.
  5. The goal must never be used without the net fitted.
- Please adhere to the safety instructions at all times  
Please refer to the Football Association web site ([www.thefa.com](http://www.thefa.com)) and British Standards for the recommended safety procedures.

## WARNING

1. When the goal is not being used, follow the storage instructions, fold the goals to be stored in a secure area.
2. Use caution when folding the goals and keep fingers away from moving components.
3. This goal has been independently tested and complies with BS 8462:2005+A2:2012.
4. Not suitable for children under 3 years old due to small parts i.e. quick clips and length of cord.
5. Never allow children to fold or store the goals.
6. It is recommended that the goal is assembled by an adult.

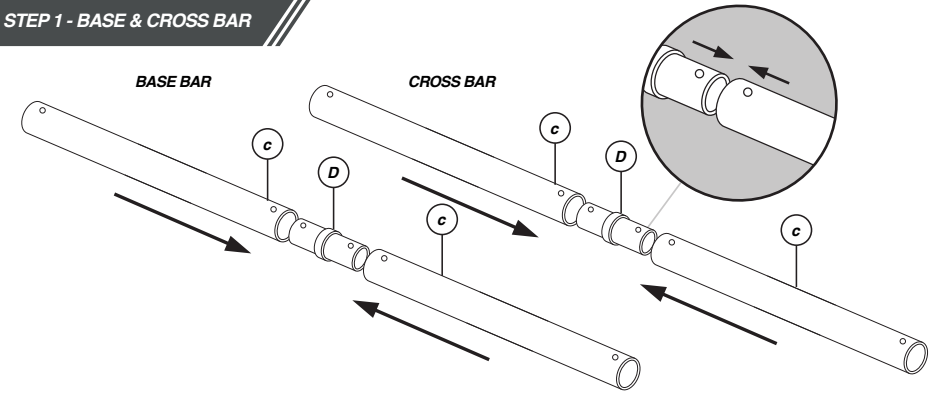
## ASSEMBLY INSTRUCTIONS

### USING THE CONNECTORS

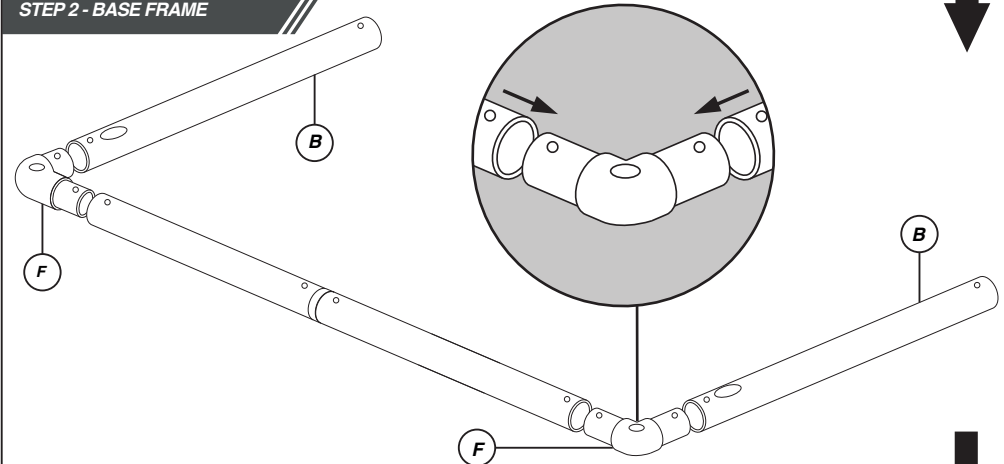


Use the tube and connector together as illustrated.

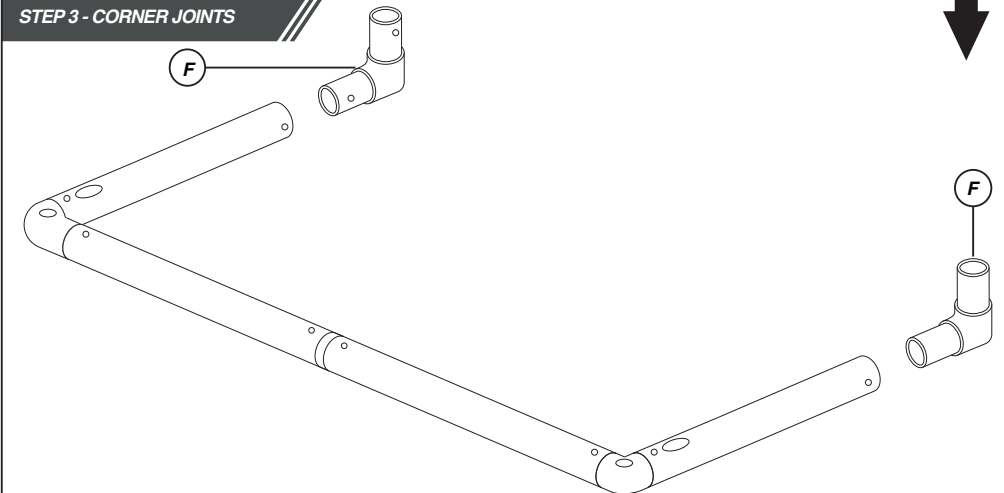
### STEP 1 - BASE & CROSS BAR



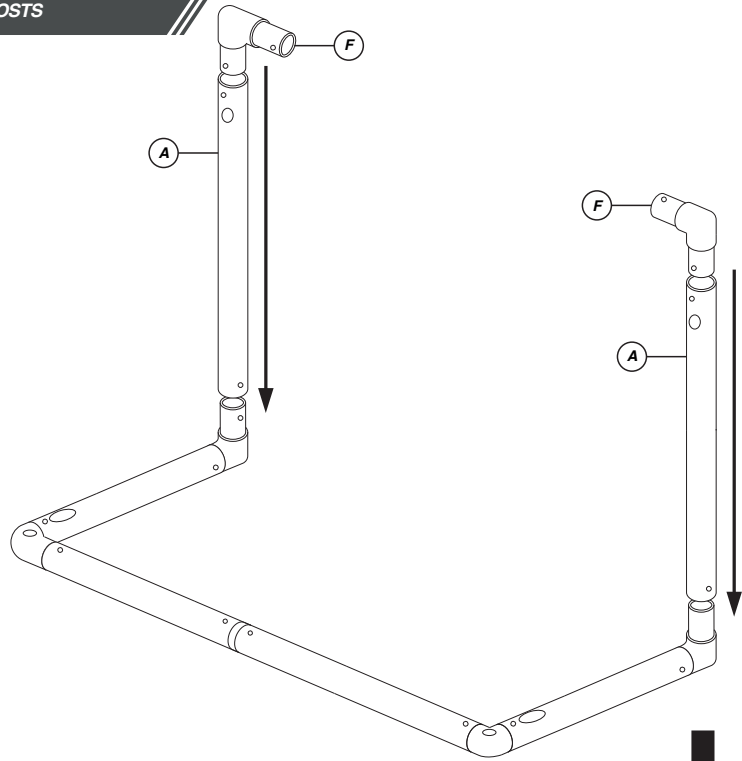
### STEP 2 - BASE FRAME



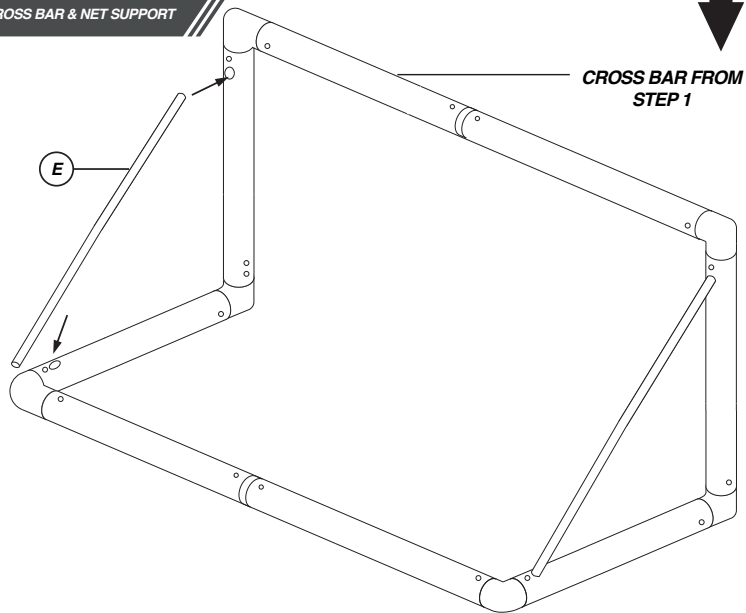
### STEP 3 - CORNER JOINTS



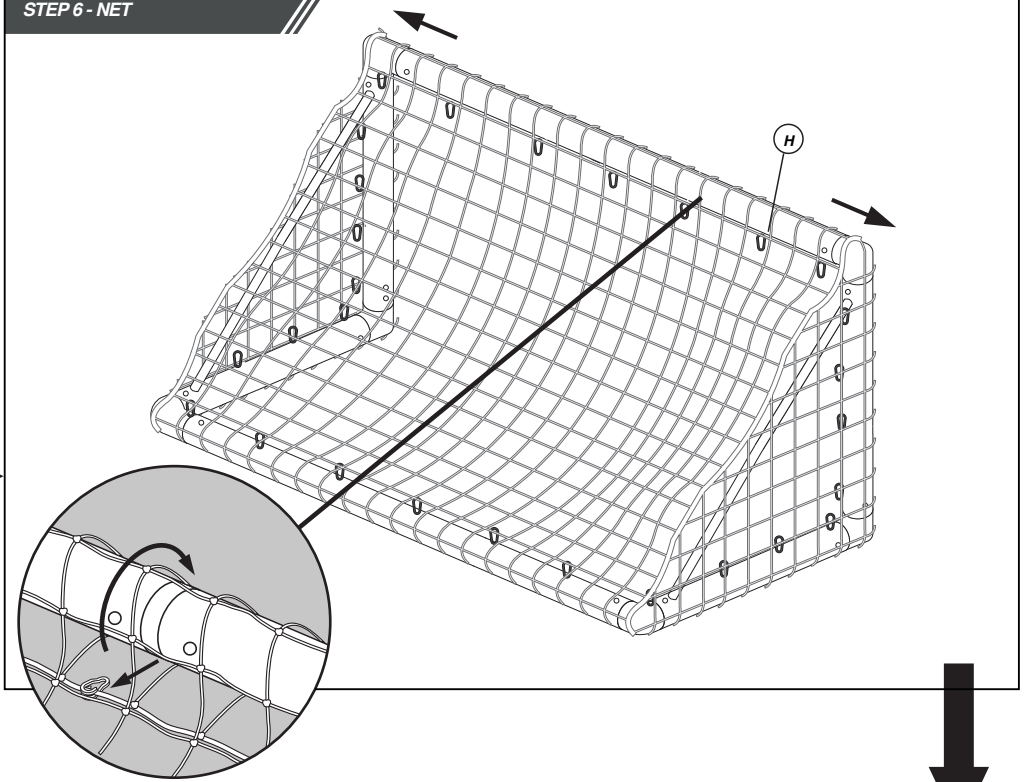
STEP 4 - POSTS



STEP 5 - CROSS BAR & NET SUPPORT



STEP 6 - NET



STEP 7 - GROUND ANCHORS

